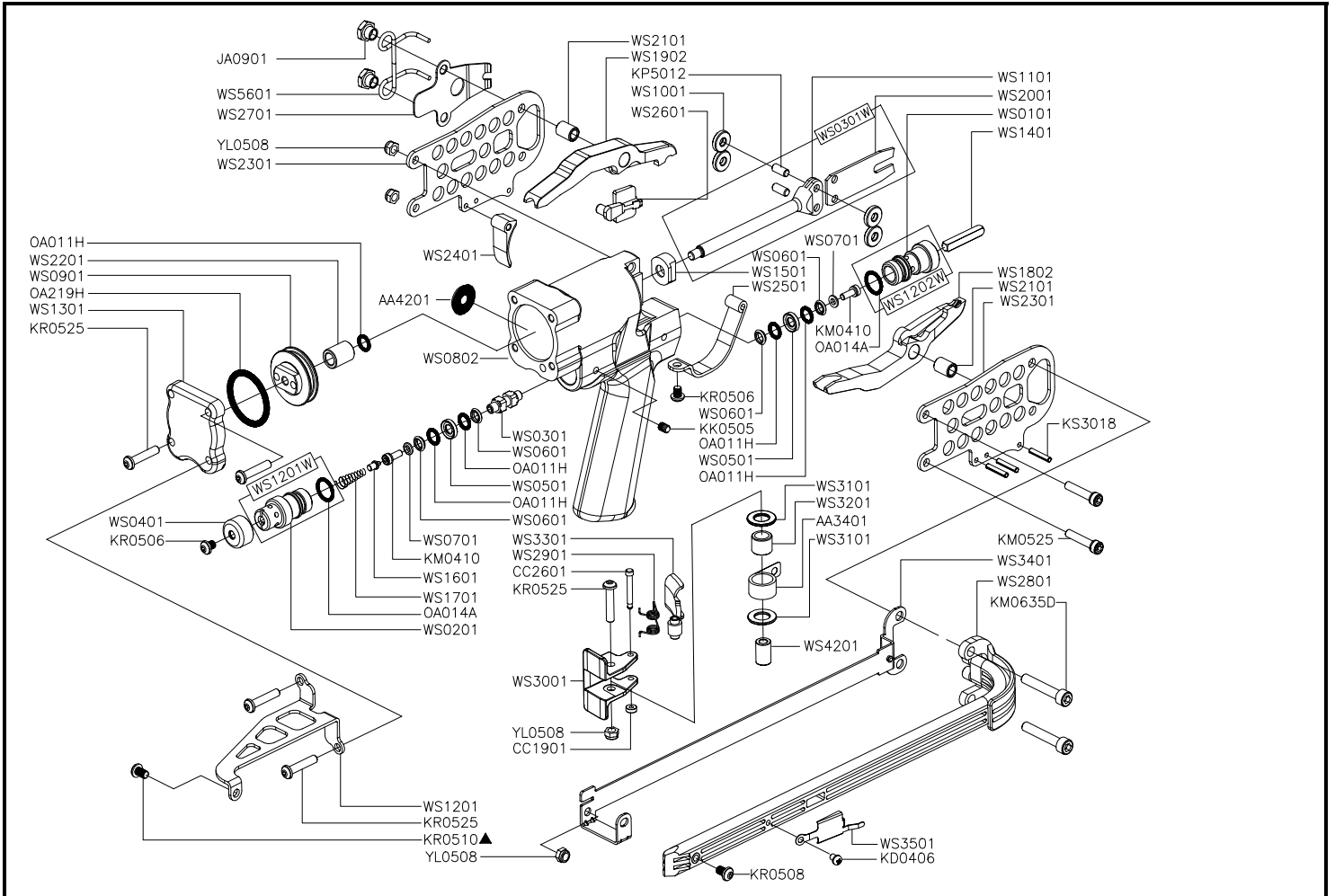


TCR-SC7C (WS/N1-06)



Part_No	Description	Spec	Q'ty	Part_No	Description	Spec	Q'ty	Part_No	Description	Spec	Q'ty
AA3401	PUSHER SPRING		1	WS0201	TRIGGER VALVE GUIDE		1	WS1902	PAWL UPPER		1
AA4201	RUBBER LABEL		1	WS0301	TRIGGER VALVE SEAT		1	WS2001	DRIVER		1
CC1901	BUSHING		1	WS0301W	DRIVER ASSY.		1	WS2101	CAP		2
CC2601	PIN		1	WS0401	EXHAUST CAP		1	WS2201	CAP		1
JA0901	NUT		2	WS0501	O-RING SEAT		2	WS2301	SIDE PLATE		2
KD0406	SCREW	#4x6 TP	1	WS0601	O-RING CAP		4	WS2401	TRIGGER		1
KK0505	HEX.SOC.SET SCREW	M5x0.8 - 5L	2	WS0701	SPACER		2	WS2501	GUARD TRIGGER		1
KM0410	HEX.SOC.HD.BOLT	M4x0.7 - 10L	2	WS0802	BODY		1	WS2601	LATCH		1
KM0525	HEX.SOC.HD.BOLT	M5x0.8 - 25L	2	WS0901	MAIN PISTON		1	WS2701	PLATE		1
KM0635D	HEX.SOC.HD.BOLT	M6x1.0 - 35L	2	WS1001	ROLLER		4	WS2801	MAGAZINE SEAT		1
KP5012	PARALLEL PIN	5x12L	2	WS1101	ROD PISTON		1	WS2901	SPRING		1
KR0506	BUTTON HD.BOLT	M5x0.8 - 06L	2	WS1201	SUPPORT		1	WS3001	SEAT		1
KR0508	BUTTON HD.BOLT	M5x0.8 - 08L	1	WS1201W	TRIGGER VALVE GUIDE ASSY.		1	WS3101	ROLLER		2
KR0510	BUTTON HD.BOLT	M5x0.8 - 10L	1	WS1202W	TRIGGER VALVE GUIDE ASSY.		1	WS3201	ROLLER		1
KR0525	BUTTON HD.BOLT	M5x0.8 - 25L	5	WS1301	CYLINDER CAP		1	WS3301	PUSHER		1
KS3018	SPRING PIN	3-18L	3	WS1401	TRIGGER VALVE STEM		1	WS3401	SUPPORT		1
OA011H	O-RING	7.65x1.78	5	WS1501	DUST-COLLECTING CAP		1	WS3501	STOPPER		1
OA014A	O-RING	ARPF568-014	2	WS1601	SPRING SEAT		1	WS4201	ROLLER ANCHOR		1
OA219H	O-RING	32.92x3.53	1	WS1701	COMPRESSION SPRING		1	WS5601	SPRING		1
WS0101	TRIGGER VALVE GUIDE		1	WS1802	PAWL LOWER		1	YL0508	LOCK NUT	M5x0.8	4

If you need to order parts, please mark both Parts No. and Description.