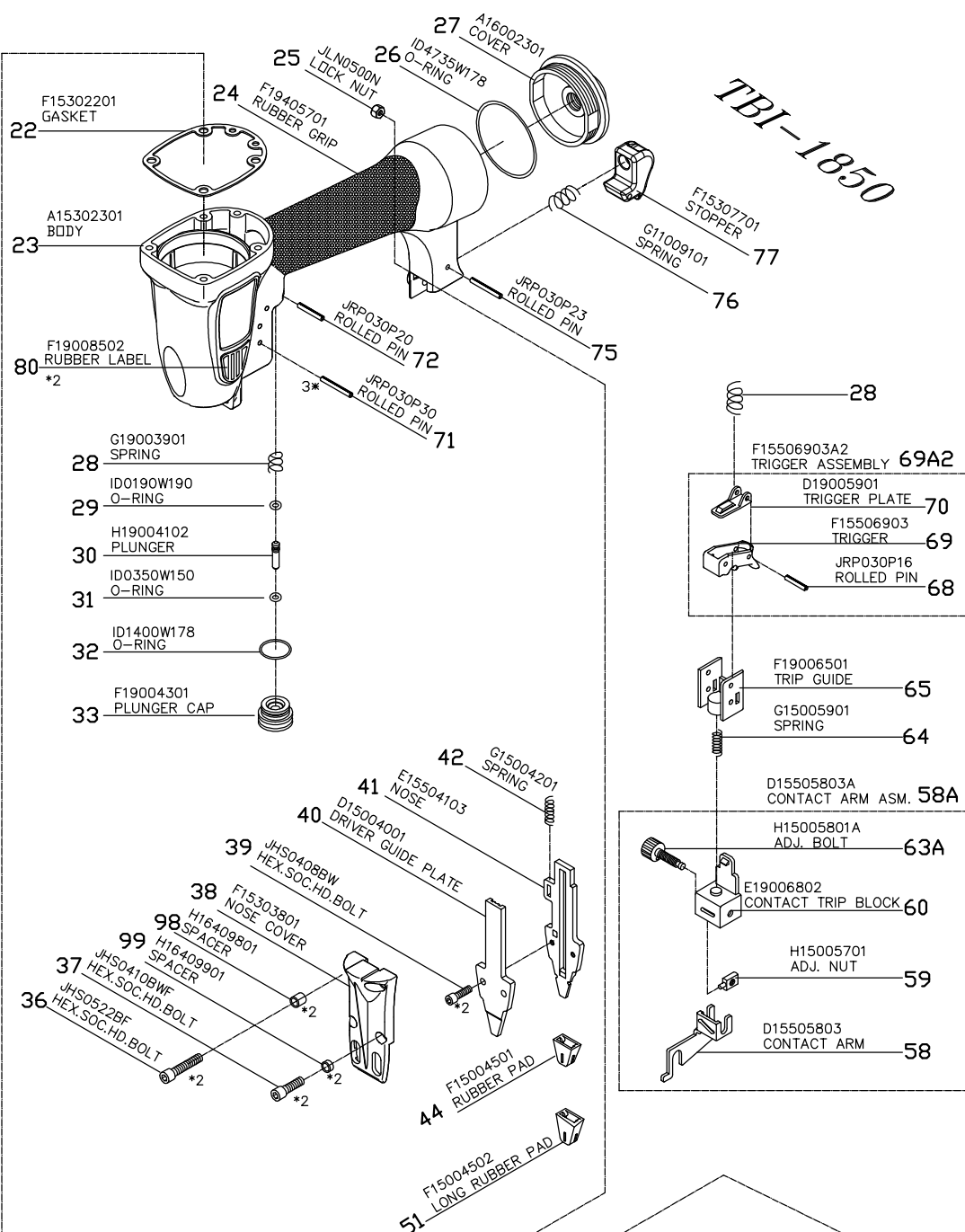
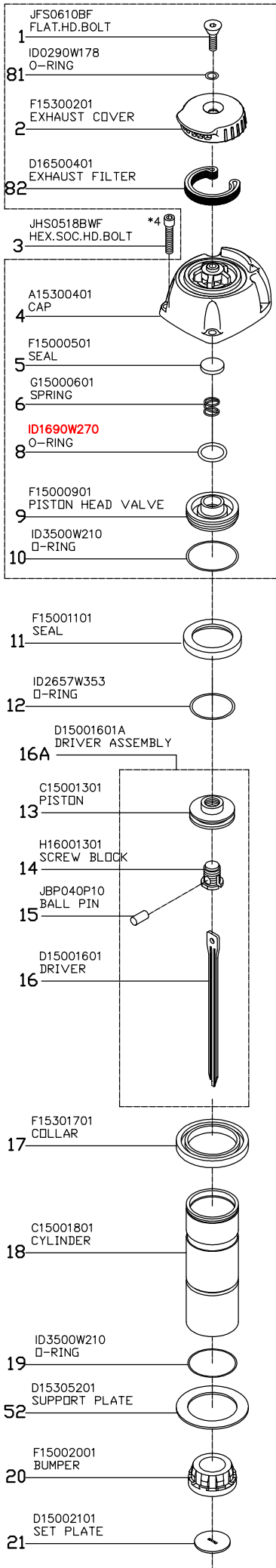


4A1 A15300401A1
CAP ASM.



TBI-1850

