

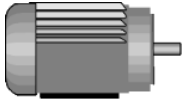

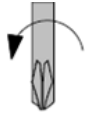
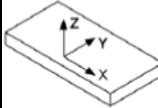
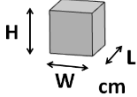




FR 220

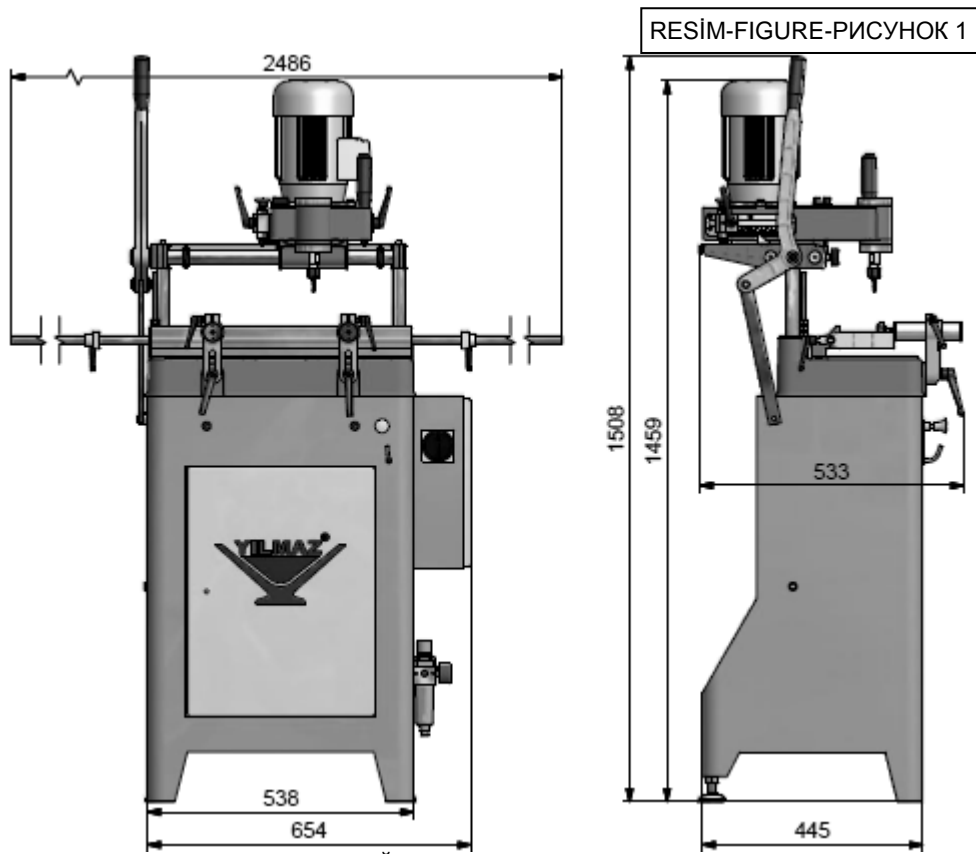


FR 221

TEKNİK ÖZELLİKLER - TECHNICAL FEATURES - ТЕХНИЧЕСКИЕ ОСОБЕННОСТИ

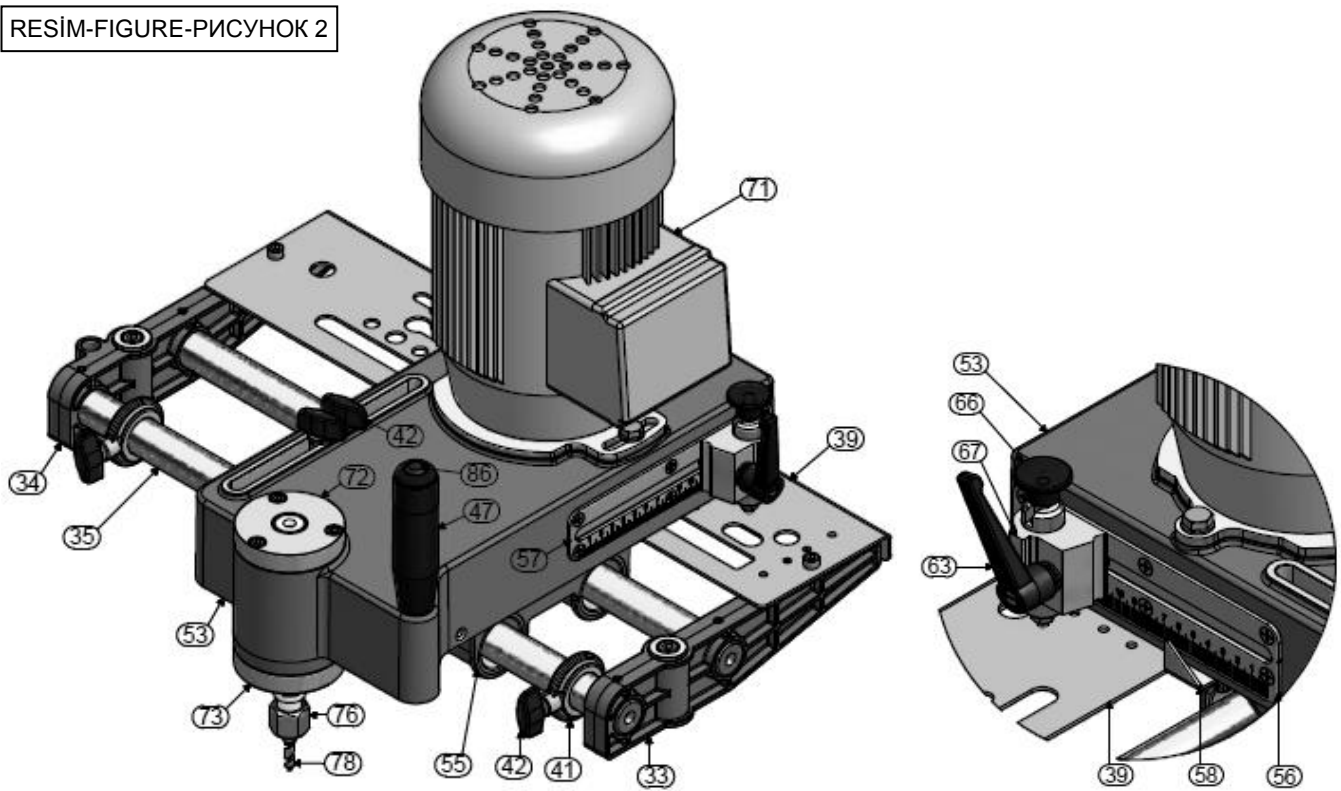
									
						kg	kg		
FR 220	550 W 50 Hz 230 V AC P N PE	750 W 50-60 Hz 400 V AC 3 PE	--	--	14000 dev/dak RPM	x = 270 mm y = 110 mm z = 130 mm	W = 64 L = 80 H = 149	71	109
FR 221	550 W 50 Hz 230 V AC P N PE	750 W 50-60 Hz 400 V AC 3 PE	6-8 BAR	5 Lt/dak. Lt/min.	14000 dev/dak RPM	x = 270 mm y = 110 mm z = 130 mm	W = 64 L = 80 H = 149	72	110

BOYUTLAR – DIMENSIONS – РАЗМЕРЫ

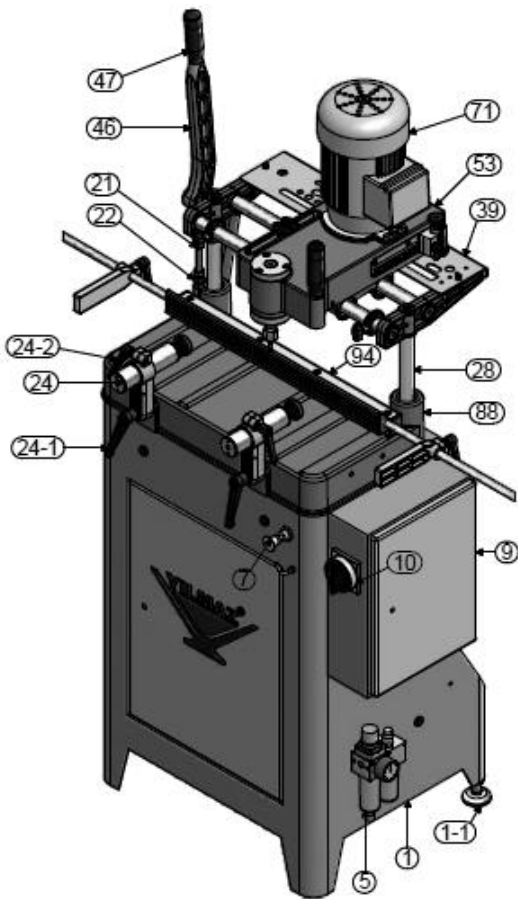
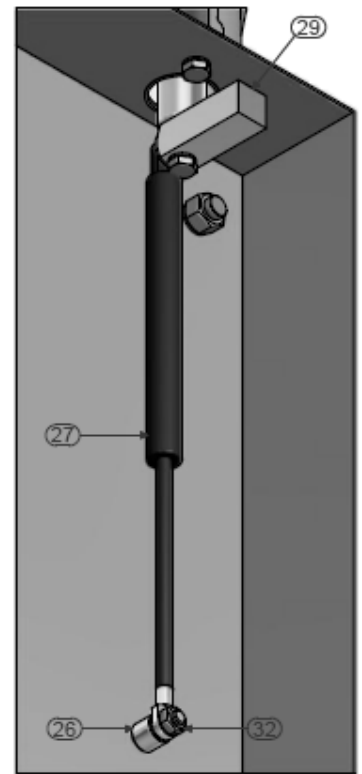
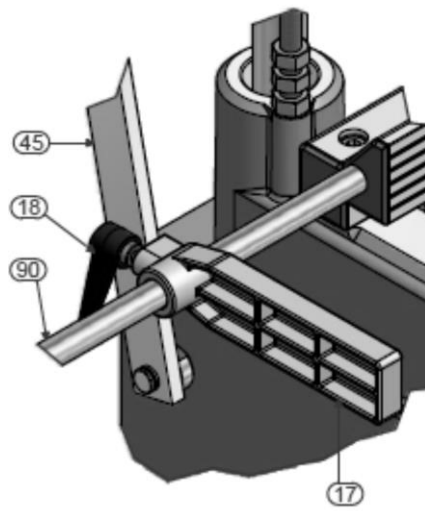


PARÇA LİSTESİ - PART LIST - ПЕРЕЧЕНЬ ДЕТАЛЕЙ



RESİM-FIGURE-РИСУНОК 2

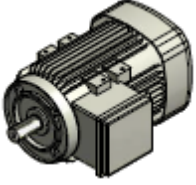

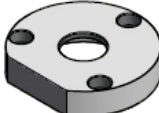






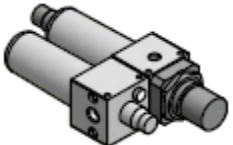


RESİM-FIGURE-РИСУНОК 3



NO номер	STOK KODU / CODE ПОРЯДОК КОД	ADET / QTY КОЛИЧЕСТВО	NO номер	STOK KODU / CODE ПОРЯДОК КОД	ADET / QTY КОЛИЧЕСТВО
1	1SA010000-0001	1	47	1PL010000-0012	1
5	3UA110030-0025	1	53	2TU012510-0376	1
7	1PN010000-0087	1	55	2TU012610-0058	1
9	1SA040000-0001	1	56	2TU011441-0584	1
10	1EL010000-0043	1	57	2TU011441-0587	1
17	2TU012610-0069	2	58	2TU011441-0586	1
18	3UA040030-0010	2	63	3UA040030-0007	2
21	2TU011110-0106	1	66	3UA030030-0002	2
22	1SC071000-0002	3	67	2TU012310-0075	2
24	3UA060030-0004	2	71	1EL070001-0004	1
26	2TU011110-0109	1	72	2TU012610-0072	1
27	1YY030000-0009	1	73	2TU012610-0073	1
28	2TU015010-0006	2	76	2TU011210-0014	1
29	2TU011210-0259	1	78	1SK050000-0001	1
32	1SC071000-0013	1	85	1PL010000-0012	1
35	2TU015010-0008	2	86	1EL090000-0060	1
39	2TU011410-0025	1	88	2TU012510-0048	1
41	2TU012610-0061	1	90	2TU011110-0101	2
42	2TU011110-0146	4	94	2TU012310-0008	1
46	2TU012510-0065	1			

YEDEK PARÇA LİSTESİ / SPARE PART LIST / СПИСОК ЗАПАСНЫХ ЧАСТЕЙ			
PARÇA NO PART NO НОМЕР	RESİM PICTURE РИСУНОК	STOK KODU / CODE ПОРЯДОК КОД	PARÇA ADI – PART NAME НАИМЕНОВАНИЕ ДЕТАЛИ
24		2TU012610-0009 / 0053 (FR 220) 2TU012610-0010 / 0054 (FR 221)	MENGENE YATAĞI CLAMP MOUNTING BRACKET
24		3UA060030-0004 (FR 221)	PNÖMATİK MENGENE PNEUMATIC CLAMP
24		3UA280030-0001 (FR 220)	MEKANİK MENGENE MECHANIC CLAMP
24-1		1PL010000-0033	MENGENE PABUCU CLAMP FEET
24-1		3UA040030-0007	M8x32 PİPO M8x32 HANDLE
24-2		3UA040030-0002	M10*50 PİPO M12*60 HANDLE

71		1EL070001-0003 (230V-1P 50 Hz) 1EL070001-0027 (240V-1P 50 Hz) 1EL070001-0004 (400V-415 V 3P 50 Hz) (440V-3P 60 Hz)	MOTOR MOTOR
72		2TU012610-0072	RULMAN YATAĞI (ÜST) BEARING MOUNTING BRACKET
73		2TU012610-0073	RULMAN YATAĞI (ALT) BEARING MOUNTING BRACKET
		1SR010000-0005	6204 RULMAN 6204 BEARING
		1SR070000-0002	MOTOR KAYIŞI MOTOR BELT
27		1YY030000-0009	AMORTİSÖR SHOCK ABSORVER
66		3UA030030-0002	SUSTA DETENT PIN
78		1SK050000-0001	FREZE ÇAKISI ROUTER BIT
		1PN010000-0012	SPRAYER SU PÜSKÜRTME VALF WATER SPRAY VALVE
5		3UA110030-0020	ŞARTLANDIRICI LUBRICATOR

