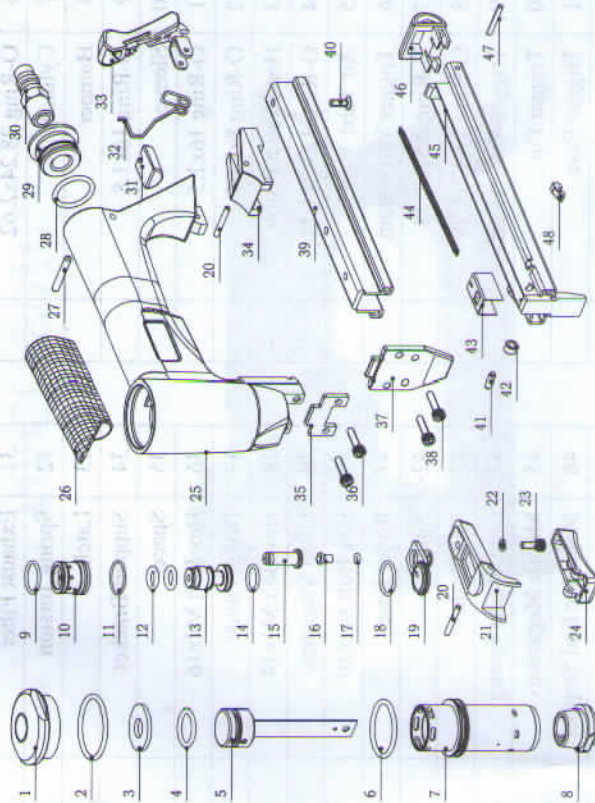


21 GA. FINE WIRE STAPLER

MEDIUM DUTY

MODEL: 8016

- Replacement Parts List
- Manual de Pièces de Rechange
- Lista de Repuestos



NO.	Description	Qty
1	Cylinde Cap	
2	Q-Ring 32.5x2.65	
3	Cylinder Cap Gasket	
4	O-Ring 17.12x2.62	
5	Driver	
6	O-Ring 28.24x2.62	
7	Cylinder	
8	Bumper	
9	O-Ring 16x1.8	
10	Sleeve	
11	O-Ring 16x1.5	
12	O-Ring 8x2.65	
13	Head Valve Piston	
14	O-Ring 12.42x1.78	
15	Air Tube	
16	Trigger Valve Stem	
17	O-Ring 2.57x1.78	
18	O-Ring 17.17x1.78	
19	Trigger Valve Head	
20	Trigger Pin	
21	Trigger Base	
22	Washer 4	
23	Hex Bolt M4x10	
24	Trigger Body	
25	Body	
26	Rubber Grip	
27	End Cap Pin	
28	O-Ring 20.29x2.62	
29	End Cap	
30	Air Plug	
31	Exhaust Filter	
32	Spring Torsion	
33	Latch	
34	Support Bracket	
35	Spacer	
36	Hex Bolt M4x16	
37	Driver Guide	
38	Hex Bolt M4x14	
39	Fixed Magazine	
40	Hex Bolt M4x10	
41	Roller Base	
42	Roller	
43	Nail Pusher	
44	Compression Spring	
45	Mobile Magazine	
46	Magavine End Stopper	
47	Step Pin 3x26	
48	Stopper	
49		
50		

Note: The parts listed and displayed herein this manual are for tool service only. It is not indicated that all of them can be supplied. Technical changes might be made without any prior notification.