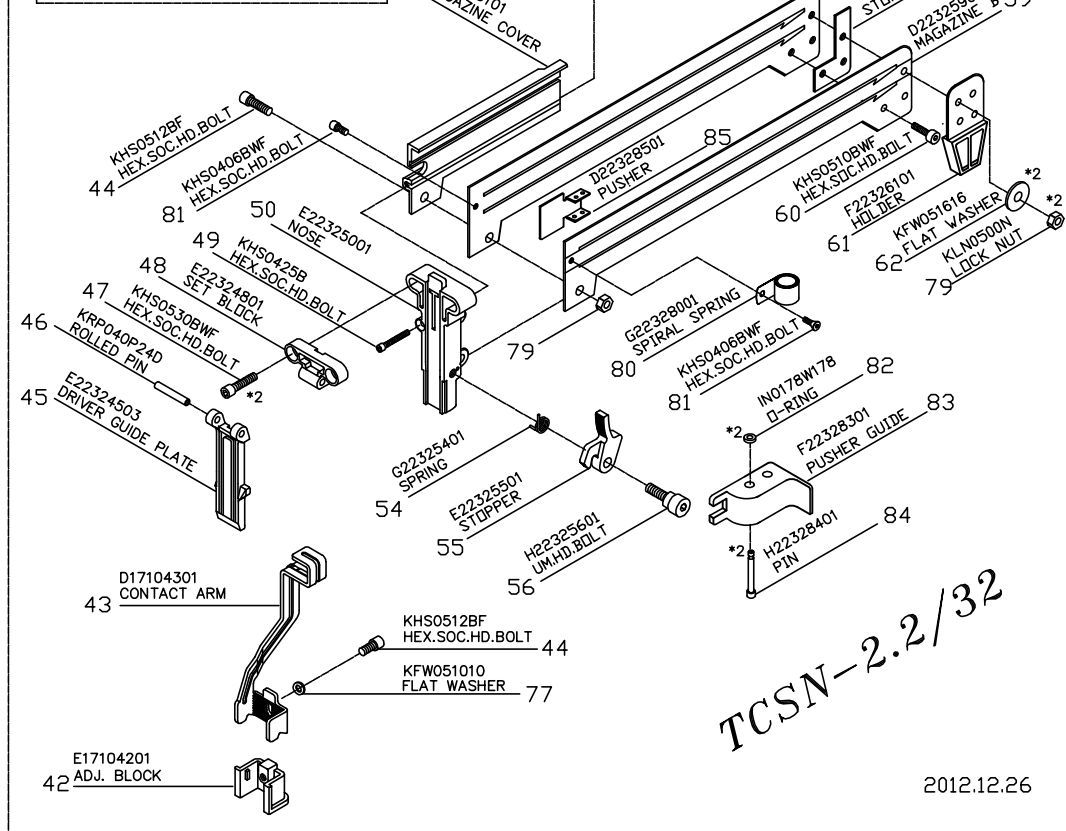
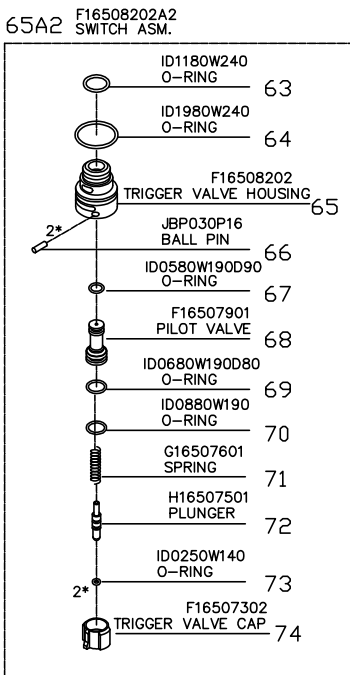
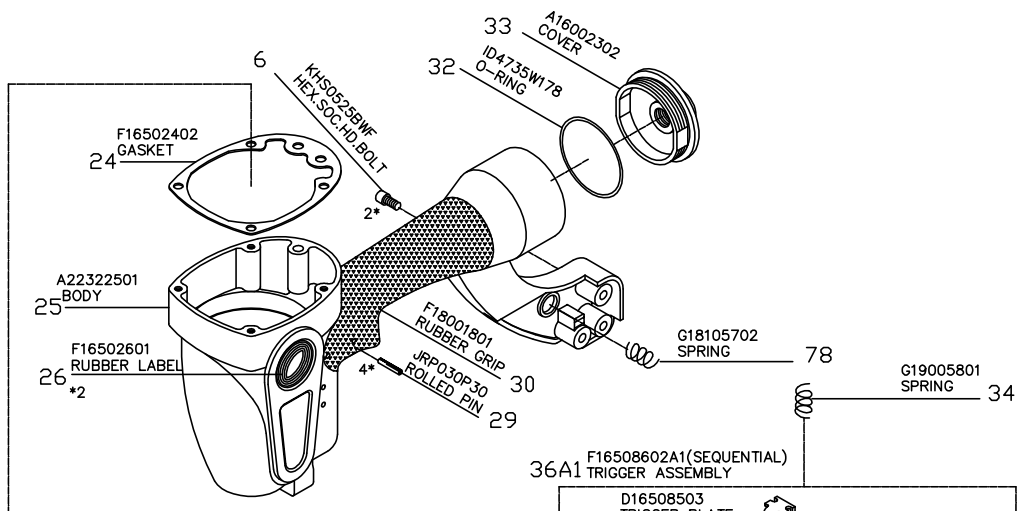
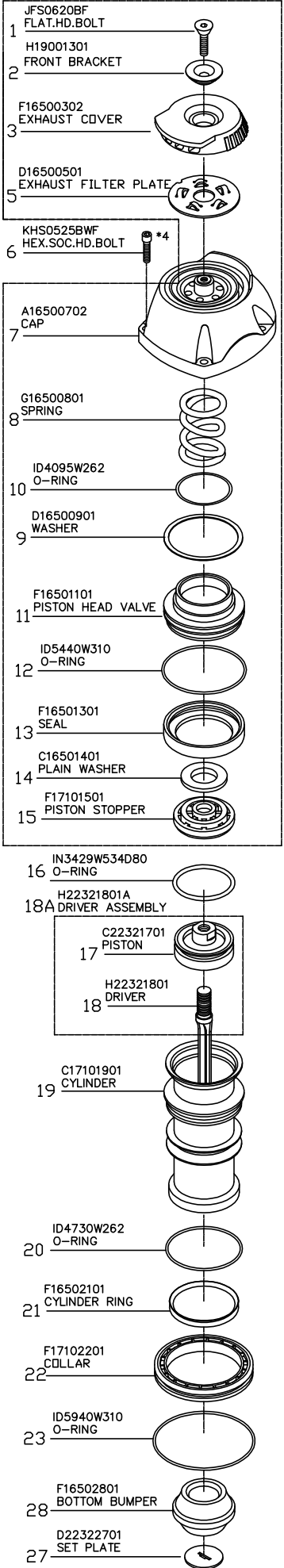


7A1 A16500702A1
CAP ASM.



TCSN-2.2/32